

MASS	WITH OIL	WITH OIL & WATER
Kg	377.9	385

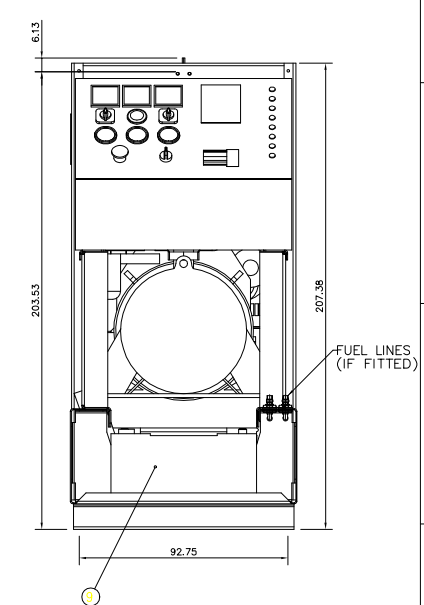
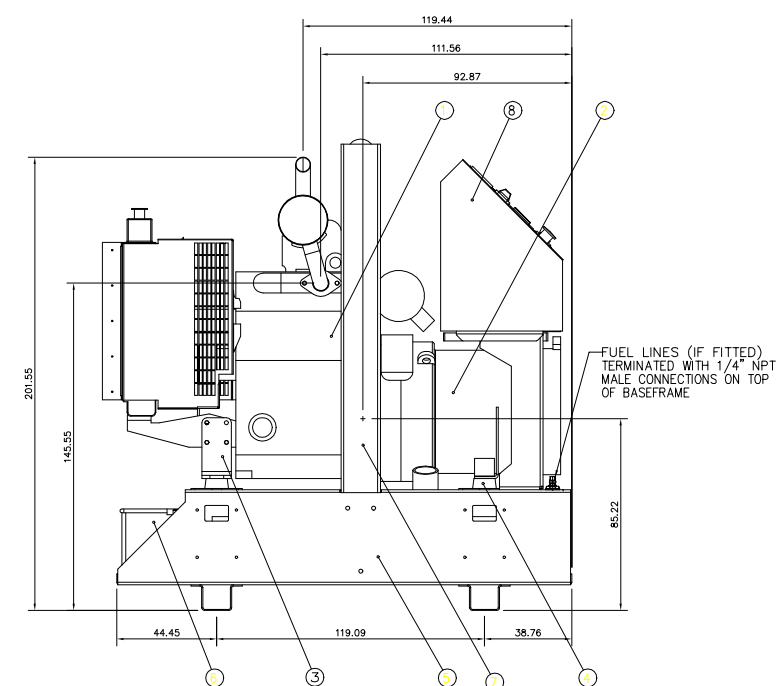
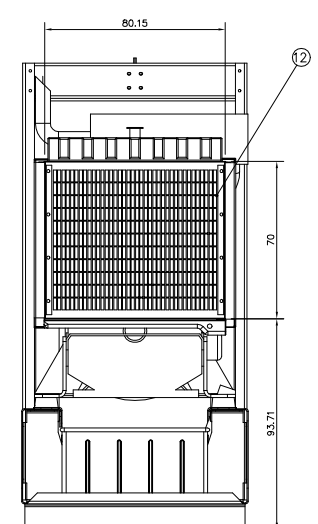
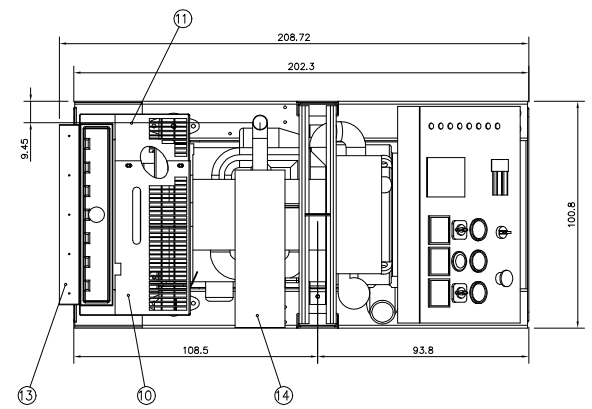
FUEL CAPACITY - 44 litres

For Information Only

ITEM	QTY	DESCRIPTION	DWG / PART NO.
1	1	ENGINE - LISTER LPW3(82)	104-045
2	1	ALTERNATOR - LA1012J	110-514
3	2	ENGINE MOUNTING FOOT	MGC4284
4	4	ANTI VIB MOUNT	591-182
5	1	COMPACT BASE ASSY - 3 CYL	MBA0840
6	1	BATTERY	150-010
7	1	LIFTING ARRANGEMENT	MLA0076
8	1	PANEL ASSEMBLY (IF FITTED)	MPA0204
9	1	FUEL TANK	588-400
10	1	SPLIT FAN GUARD LHS	MGC2733
11	1	SPLIT FAN GUARD RHS	MGS3140
12	1	RAD. STONE GUARD - LPW3/4/T4(81)	MGC2737
13	1	RADIATOR TRANSITION FLANGE (IF FITTED)	MGS0130
14	1	ENGINE MOUNTED SILENCER (IF FITTED)	130-004
15	1	LOOSE EXHAUST SILENCER KIT (IF FITTED)	MXA0725
16	1	EXHAUST MANIFOLD GUARD (IF FITTED)	MGS1204

\* : ITEM NOT SHOWN

FUEL TANK & ASSOCIATED COMPONENTS NOT FITTED WHEN FUEL LINES ARE TERMINATED AT EDGE OF BASEFRAME

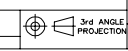


F	ITEM 3 NOW MGC4284 PRE. MGC2536 & MGC2537; ECR:10603	D. J. N 29/08/00
E	B4: GA UPDATED TO INCLUDE ITEMS 14 & 15 ECR6456	G. K. 10/11/99
D	A4: ITEM 12 WAS MGS1863 ECR6742	G. K. 23/08/99
C	RADIATOR GUARDS RE-REFERENCED	W. S. 21/01/98
B	RADIATOR GUARDS ADDED	W. S. 30/10/97
A	FIRST ISSUE	
ISSUE DESCRIPTION	BY	DATE

[ X ] - DIMENSIONS IN INCHES

TOLERANCES EXCEPT WHERE OTHERWISE STATED
0 - 50mm ± 0.1mm
50 - 100mm ± 0.15mm
100 - 200mm ± 0.2mm
OVER 200mm ± 0.3mm
ANGULAR ± 1°
DO NOT SCALE

THIS DRAWING IS COPYRIGHTED AND MAY BE COPIED ONLY FOR THE PURPOSES OF MAINTAINING THE PURCHASED EQUIPMENT BY THE PURCHASER.  
ALL DIMENSIONS IN MILLIMETRES UNLESS OTHERWISE STATED.



DRN. BY	W. SMYTH	TITLE	LPW3(82) & LA1012J G SERIES COMPACT
DATE	14-May-97	SHEET SIZE	A1
APPD. BY		ORIGINAL SCALE	7:40
DATE		DRAWING NO./ISSUE	MGA2976F